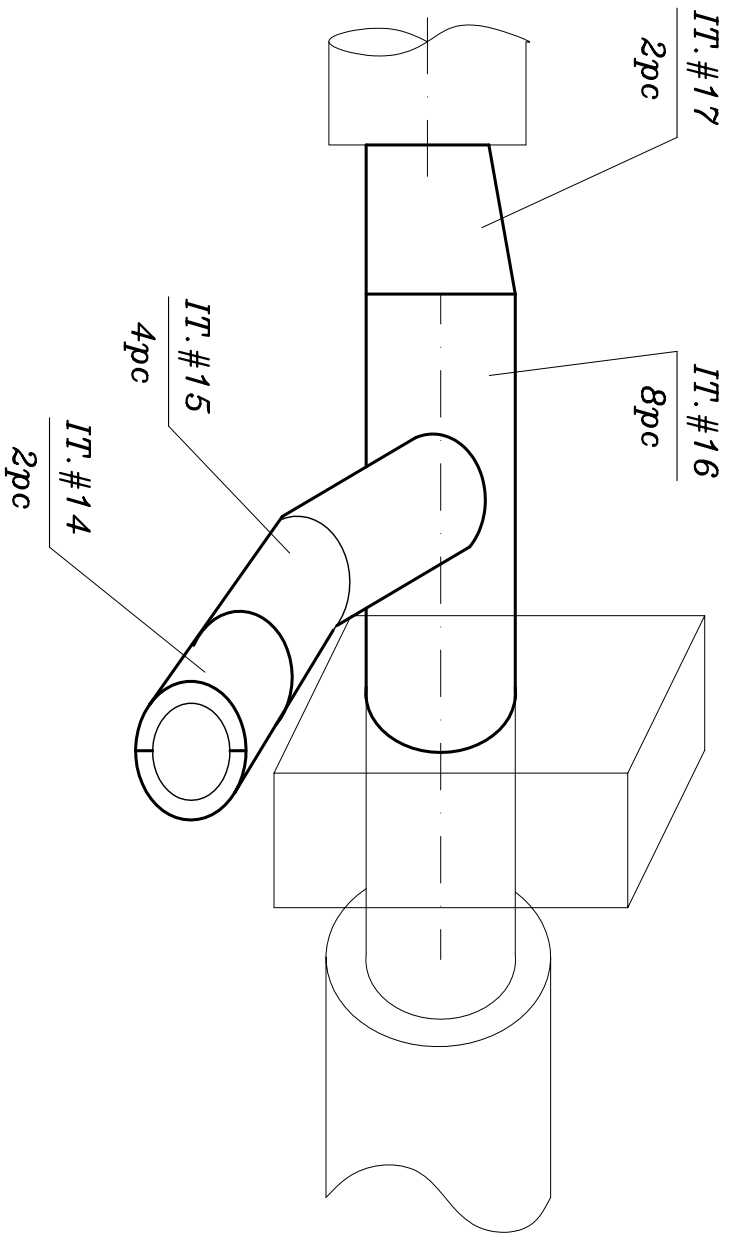


**ADVANCE THERMAL CORP.**  
 548 NORTH YORK ROAD - (630) 595-5150 - BENSENVILLE, IL 60106

*Day & Zimmermann NPS Atlantic*  
 LOCATION OF THE INSULATION COVERS FOR  
 PIPING MS-EB-1-E058

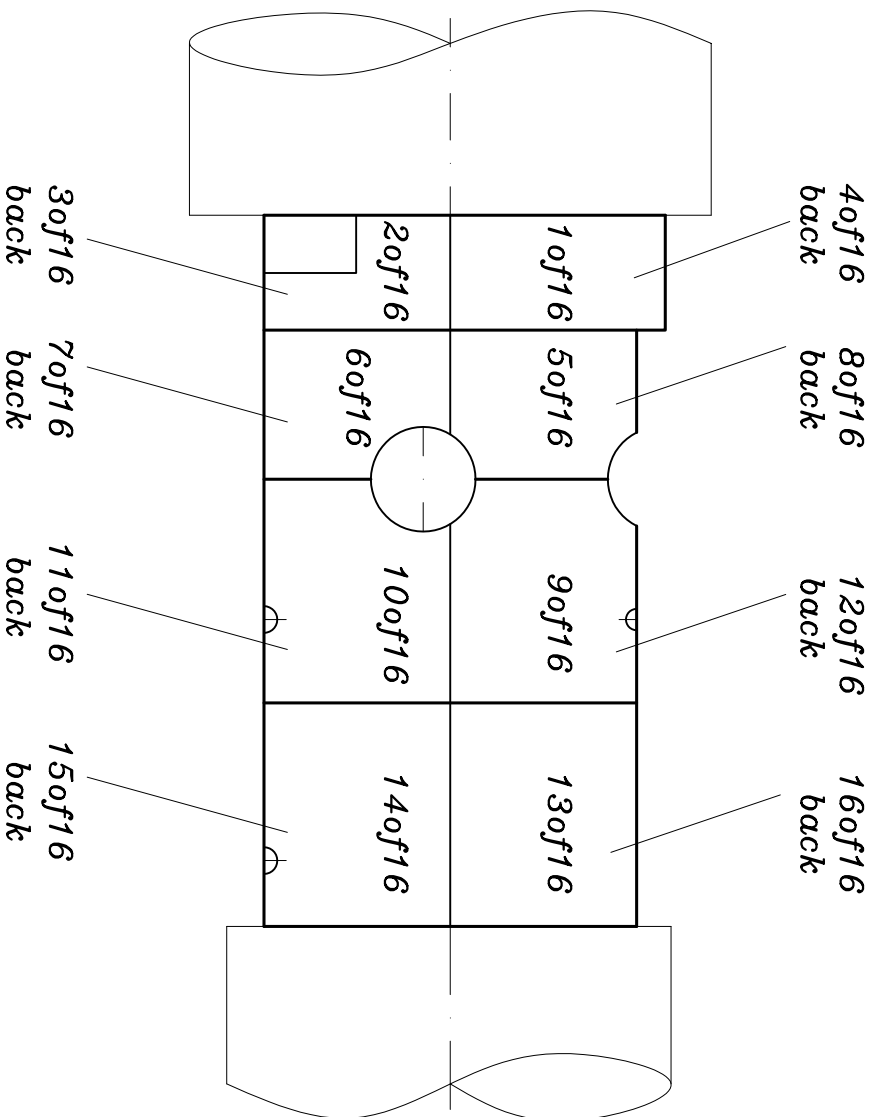
DRAWN S. LICHTSTEIN	DATE 09-26-07	DWG. NO. 20W16724-1	REVISION
APPROVED A. LIPKIND	DATE 09-26-07		<input type="checkbox"/>



**ADVANCE THERMAL CORP.**  
 548 NORTH YORK ROAD - (630) 595-5150 - BENSENVILLE, IL 60106

*Day & Zimmermann NPS Atlantic*  
 LOCATION OF THE INSULATION COVERS FOR  
 PIPING MS-EB-1-T0184

DRAWN S. LICHTSTEIN	DATE 09-26-07	DWG. NO. 20W16724-2	REVISION
APPROVED A. LIPKIND	DATE 09-26-07		<input type="checkbox"/>



**ADVANCE THERMAL CORP.**

548 NORTH YORK ROAD - (630) 595-5150 - BENSENVILLE, IL 60106

*Day & Zimmermann NPS Atlantic*

LOCATION OF THE INSULATION COVERS FOR  
PART OF TANK/ E-64 SHELL IT.#411]

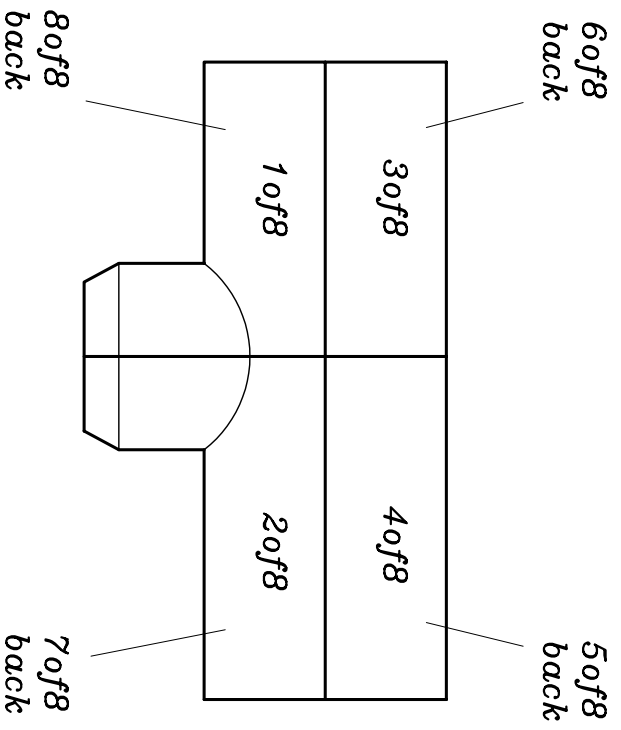
DRAWN S. LICHTSTEIN	DATE 09-26-07
APPROVED A. LIPKIND	DATE 09-26-07

DWG. NO.

**20W16724-3**

REVISION



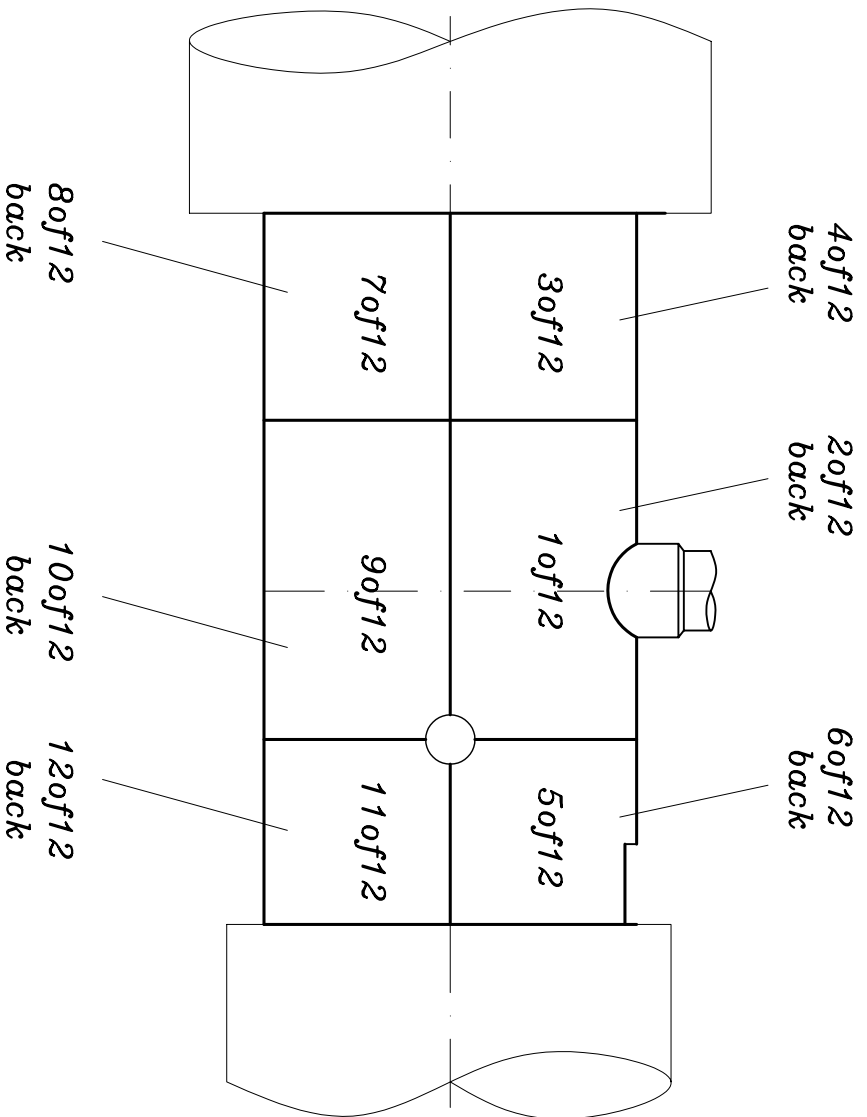


**ADVANCE THERMAL CORP.**  
 548 NORTH YORK ROAD - (630) 595-5150 - BENSENVILLE, IL 60106

*Day & Zimmermann NPS Atlantic*

LOCATION OF THE INSULATION COVERS FOR  
 36" TEE / MS-EB-1-7018A IT.#1611]

DRAWN S. LICHTSTEIN	DATE 09-26-07	DWG. NO.	20W16724-4	REVISION □
APPROVED A. LIPKIND	DATE 09-26-07			



**ADVANCE THERMAL CORP.**

548 NORTH YORK ROAD - (630) 595-5150 - BENSENVILLE, IL 60106

*Day & Zimmermann NPS Atlantic*

LOCATION OF THE INSULATION COVERS FOR

PART OF TANK / HV-GB-2-E040 IT.#26[1]

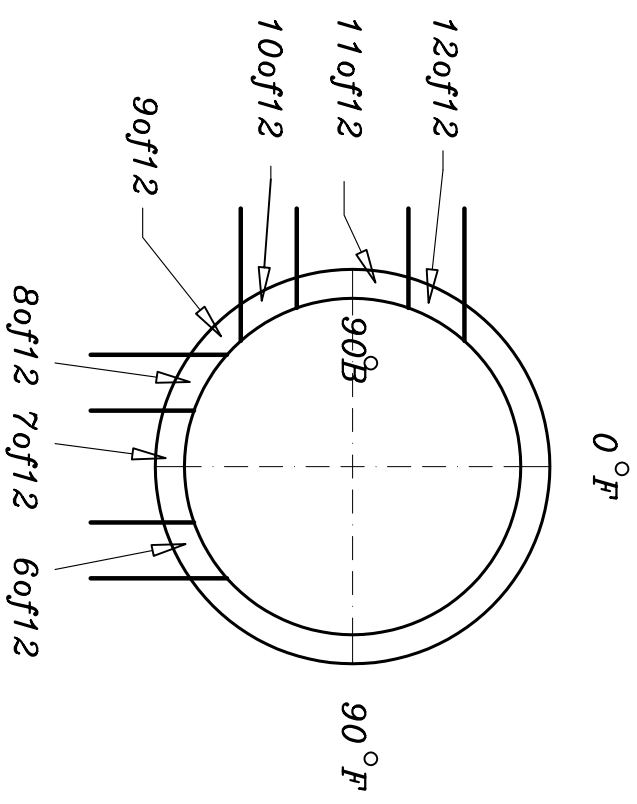
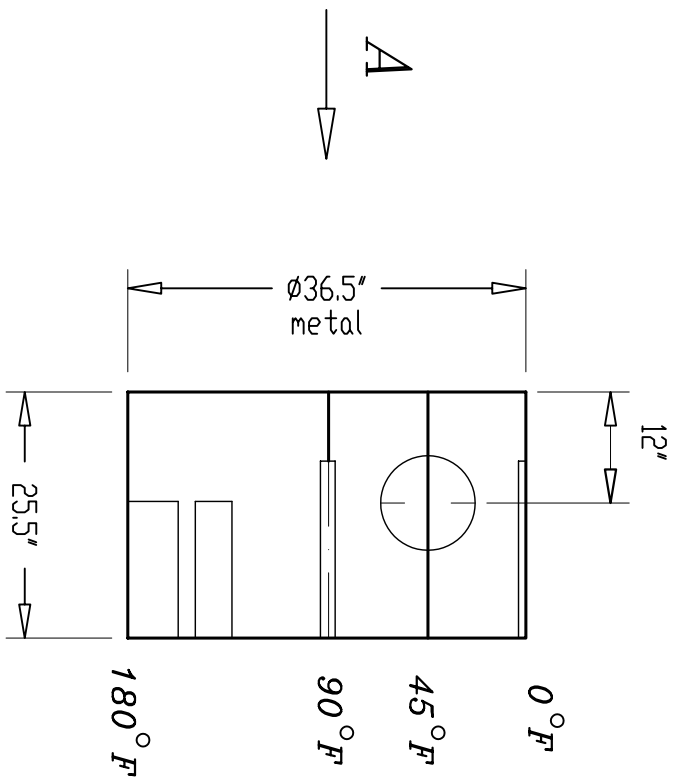
DRAWN	S. LICHSTEIN	DATE	09-26-07
APPROVED	A. LIPKIND	DATE	09-26-07

DWG. NO.

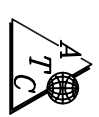
**20W16724-5**

REVISION





VIEW A



**ADVANCE THERMAL CORP.**  
 548 NORTH YORK ROAD - (630) 595-5150 - BENSENVILLE, IL 60106

*Day & Zimmermann NPS Atlantic*  
 LOCATION OF THE INSULATION COVERS FOR  
 36" SPOOL HANGER / MS-EB-1-T054 IT.#27[1]

DRAWN S. LICHTSTEIN	DATE 09-26-07	DWG. NO. 20W16724-6	REVISION
APPROVED A. LIPKIND	DATE 09-26-07		