

C B A

LFW

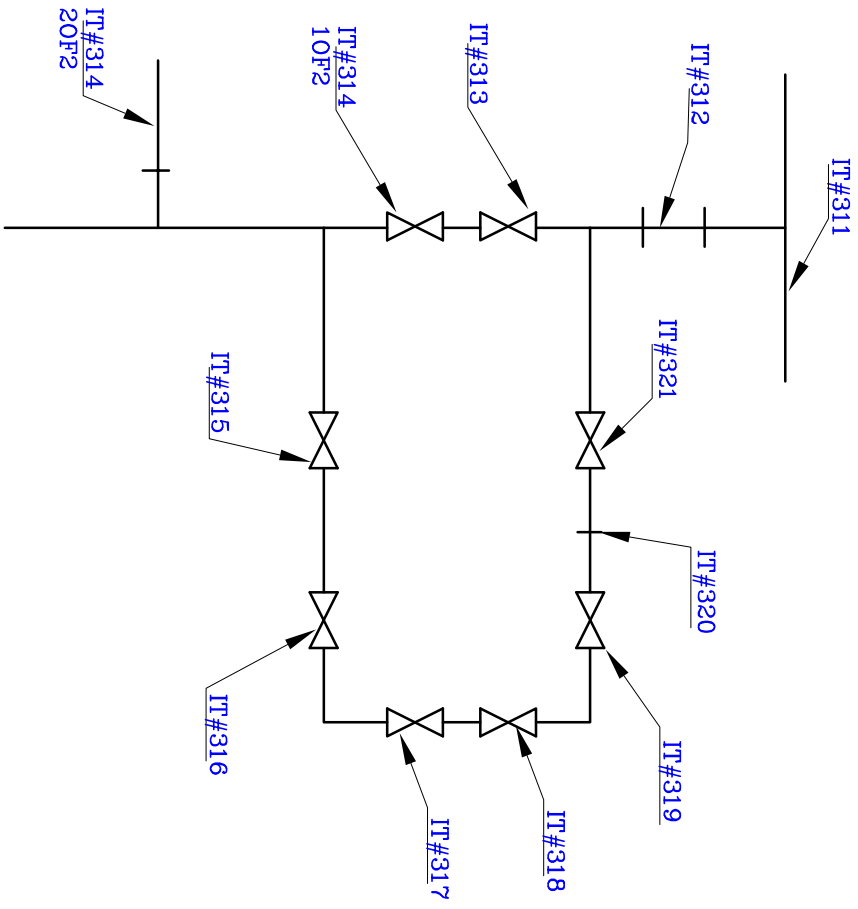


**ADVANCE THERMAL CORP.**  
 548N. YORK RD. (630)595-5150 BENSENVILLE, IL 60106

Entergy – Grand Gulf Nuclear Station.

LP FEEDWATER HEATERS

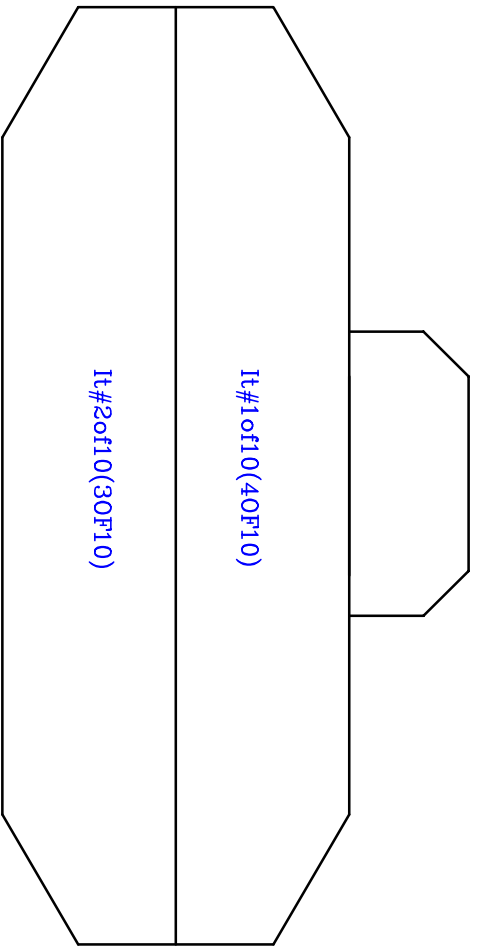
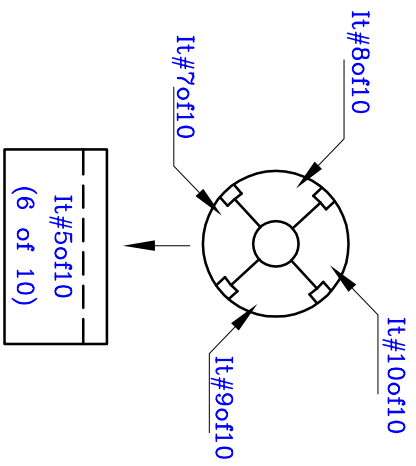
<small>DRAWN</small>	<small>DATE</small>	<small>DWG. NO.</small>	<small>REVISION</small>
Leo Shukhman	5/18/2010	20M022088-47	0
<small>APPROVED</small>	<small>DATE</small>		
A.Lipkind	5/18/2010		




**ADVANCE THERMAL CORP.**  
 548N.YORK RD.(630)595-5150 BENSENVILLE,IL 60106

Entergy – Grand Gulf Nuclear Station.  
 WO 173238  
 N193003C

DRAWN Leo Shukhman APPROVED A.Lipkind	DATE 5/18/2010 DATE 5/18/2010	DVG. NO. N193003C	REVISION 2010022088-51-3 0
--	--	----------------------	----------------------------------



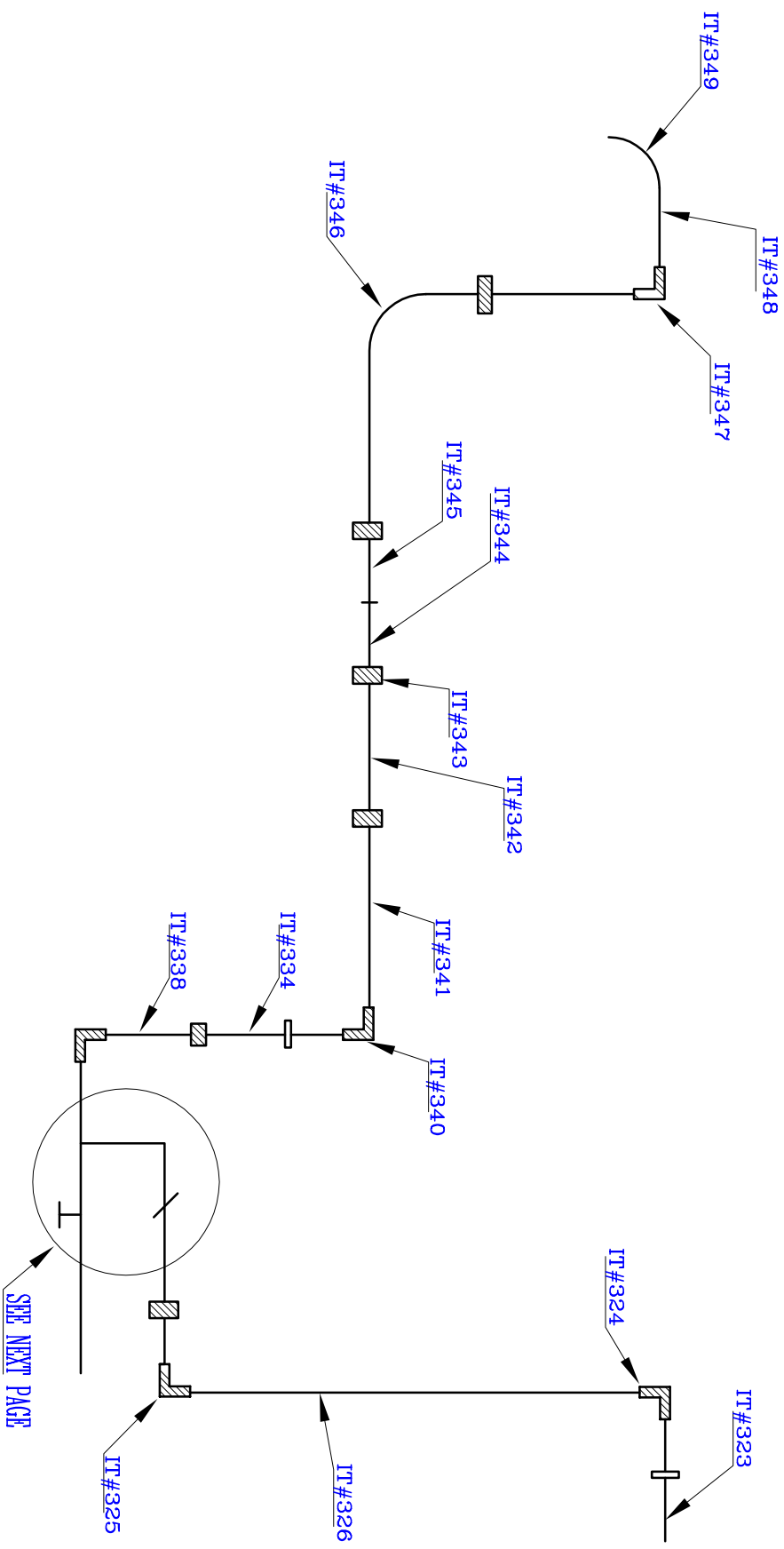
Note: 1 of 10 – Front  
 (4 OF 10) –Back



**ADVANCE THERMAL CORP.**  
 548N.YORK RD.(630)595-5150 BENSENVILLE,IL 60106

Entergy – Grand Gulf Nuclear Station.  
 Installation drawing for Item#322

DRAWN	DATE	DWG. NO.	REVISION
Leo Shukhman	5/14/2010	20M022088-50	0
APPROVED	DATE		
A.Lipkind	5/14/2010		



SEE NEXT PAGE

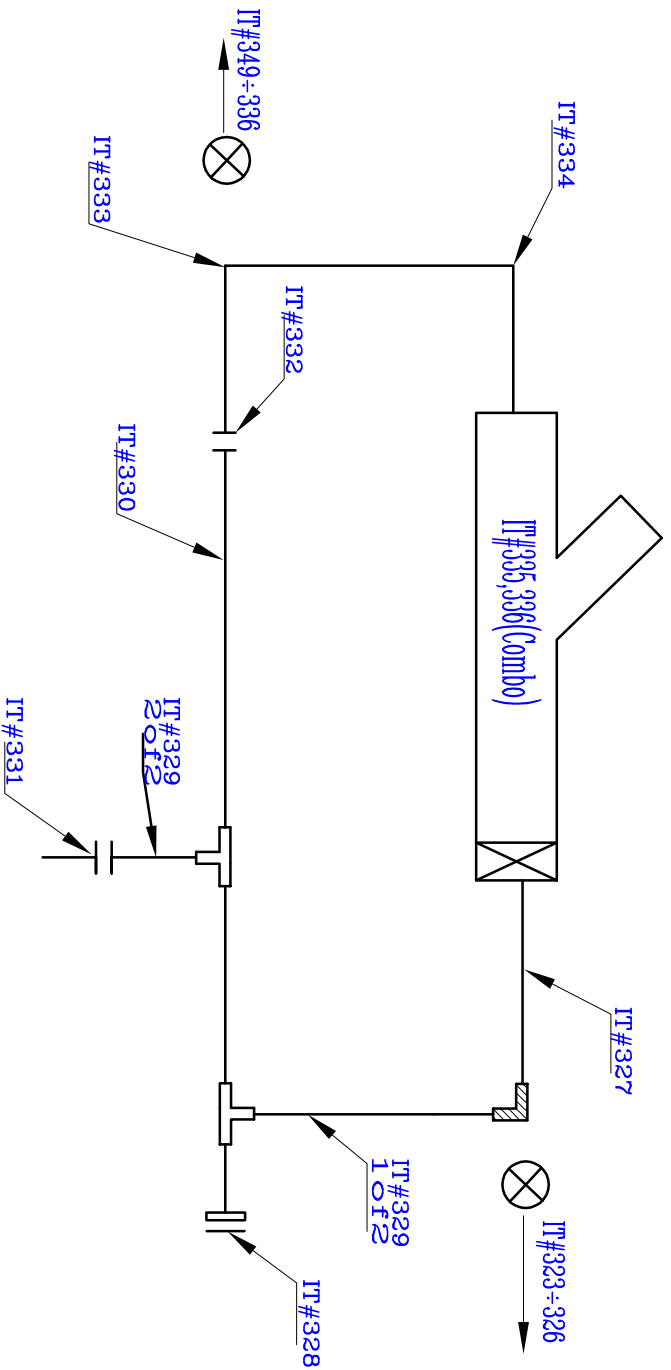


**ADVANCE THERMAL CORP.**  
 548N.YORK RD.(630)595-5150 BENSENVILLE,IL 60106

Entergy – Grand Gulf Nuclear Station.

Installation drawing PAGE 1

DRAWN	DATE	DWG. NO.	REVISION
Leo Shukhman	5/14/2010	20M022088-54	0
APPROVED	DATE		
A.Lipkind	5/14/2010		



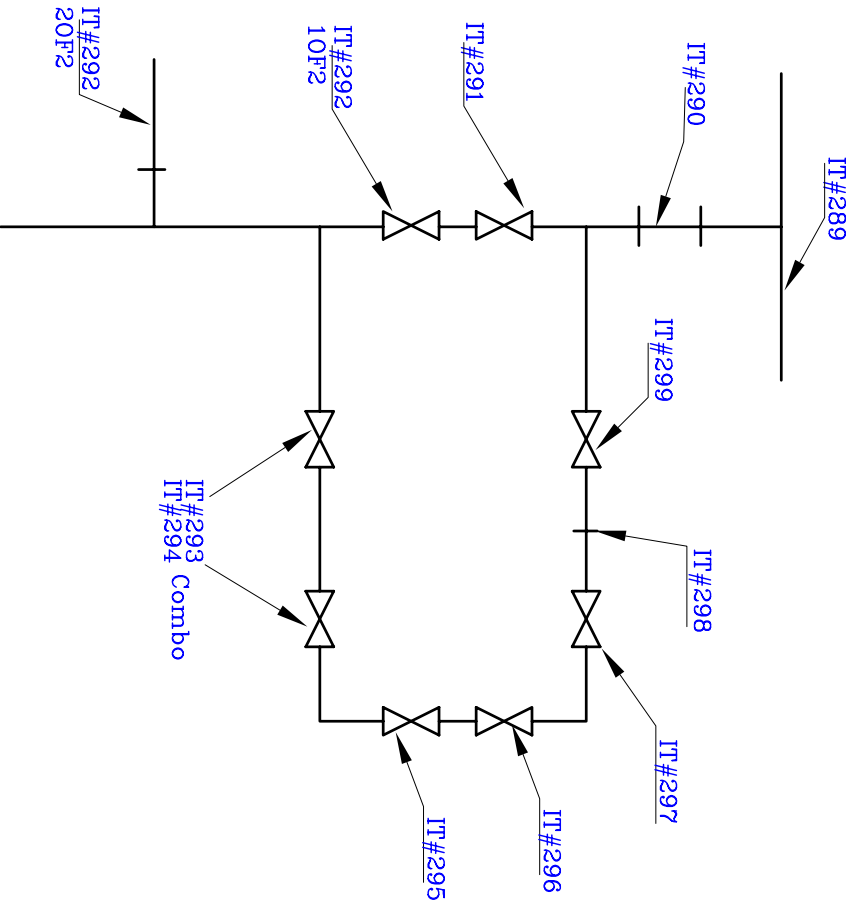
**ADVANCE THERMAL CORP.**

548N.YORK RD.(630)595-5150 BENSENVILLE,IL 60106

Entergy – Grand Gulf Nuclear Station.

Installation drawing PAGE 2

DRAWN	DATE	DWG. NO.	REVISION
Leo Shukhman	5/14/2010	20M022088-54-2	
APPROVED	DATE		
A.Lipkind	5/14/2010		



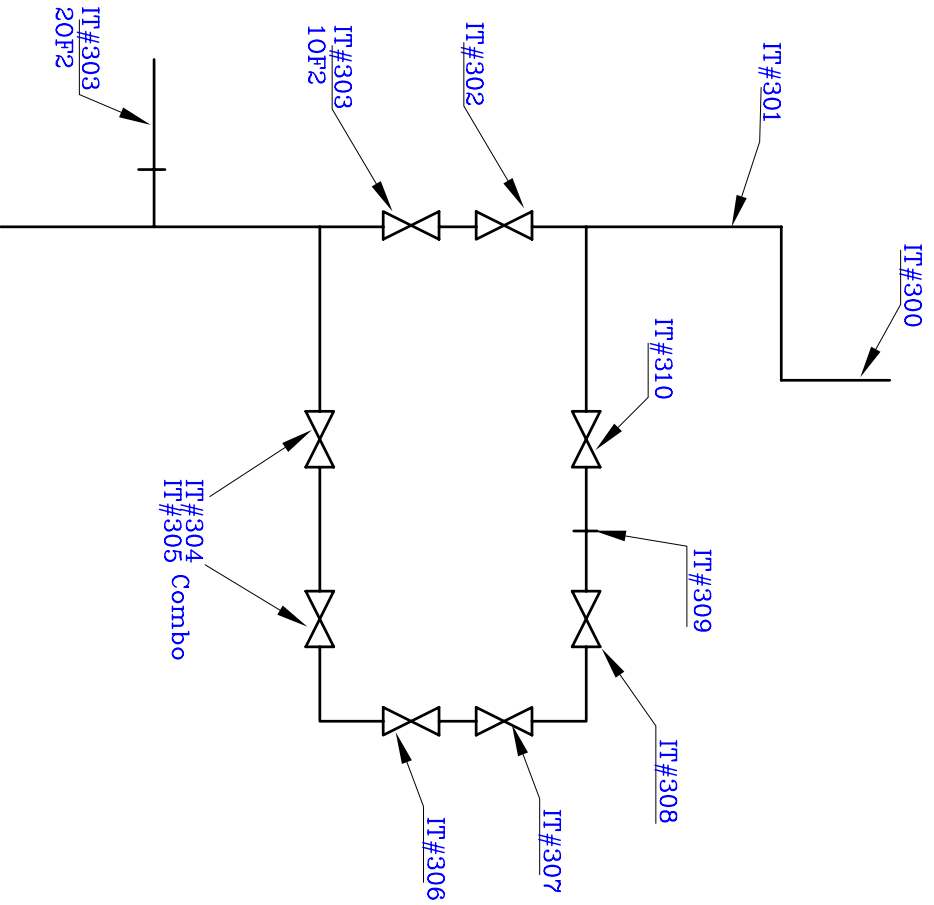
**ADVANCE THERMAL CORP.**  
 548N YORK RD. (630)595-5150 BENSENVILLE, IL 60106

Entergy – Grand Gulf Nuclear Station.

N19B003A

WO 173238

DRAWN	DATE	DWG. NO.	REVISION
Leo Shukman	5/18/2010		
A. Lipkind	5/18/2010	20W022088-51-1	0



**ADVANCE THERMAL CORP.**  
 548N YORK RD. (630)595-5150 BENSENVILLE, IL 60106

Entergy – Grand Gulf Nuclear Station.

WO 173238

N19B003B

DRAWN	DATE	DWG. NO.	REVISION
Leo Shukman	5/18/2010		
APPROVED	DATE		
A. Lipkind	5/18/2010	20W022088-51-2	0