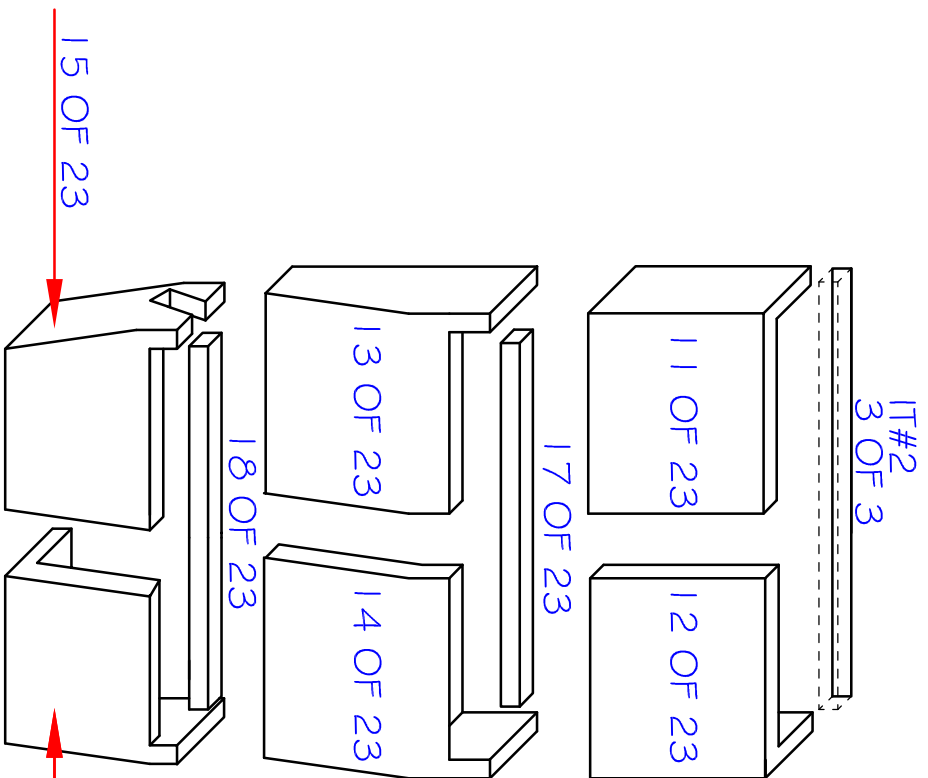



ADVANCE THERMAL CORP.
 548N.YORK RD.(630)595-5150 BENSENVILLE,IL 60106

ILLINOIS BLOWER INC.
 INSTAL.DWG. FOR HPRB 503 5 A8 CW-UB
 Acoustitrap Upgrade 634-0039

| | | | |
|------------|------------|------------|----------|
| DRAWN | DATE | DWG. NO. | REVISION |
| L.SHUKHMAN | 12/10/2009 | 20W20982-1 | 0 |
| APPROVED | DATE | | |
| A.LIPKIND | 12/10/2009 | | |



ADVANCE THERMAL CORP.
 548N.YORK RD.(630)595-5150 BENSENVILLE,IL 60106

ILLINOIS BLOWER INC.

INSTAL.DWG. FOR HPRB 503 5 A8 CW-UB
 Acoustirap Upgrade 634-0039(INLET BOX)

| | | | |
|------------|------------|------------|----------|
| DRAWN | DATE | DWG. NO. | REVISION |
| L.SHUKHMAN | 11/30/2009 | 20W20982-2 | 0 |
| APPROVED | DATE | | |
| A.LIPKIND | 11/30/2009 | | |